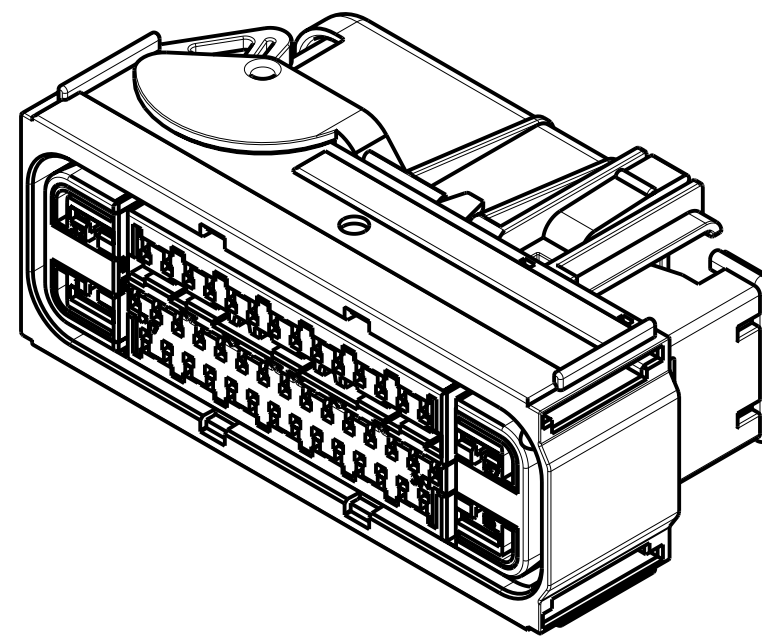
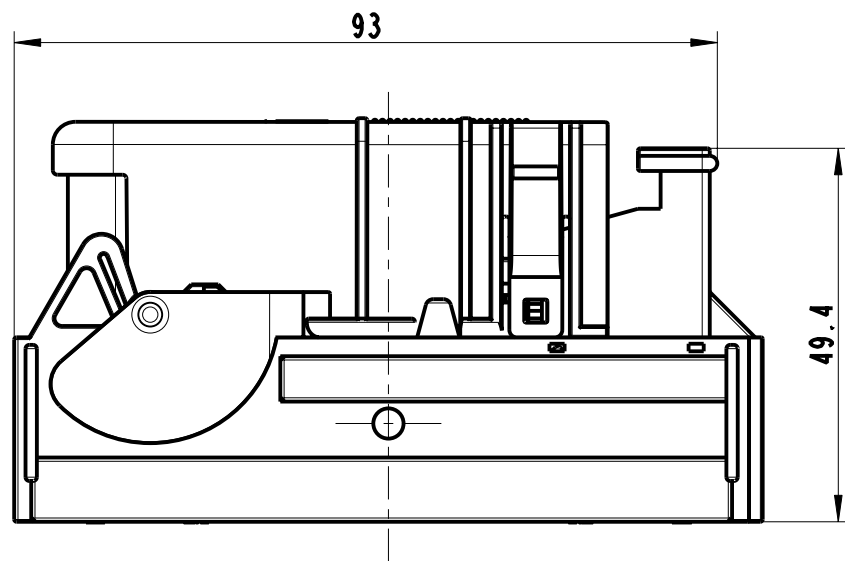
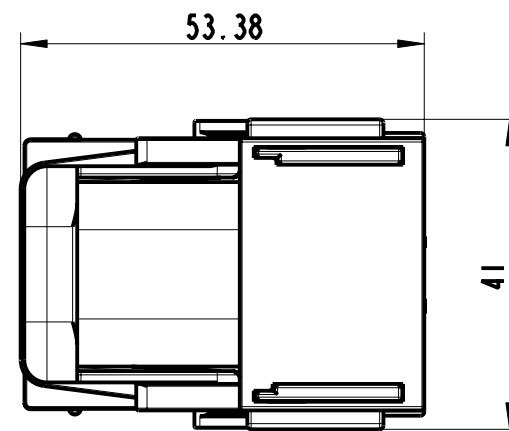
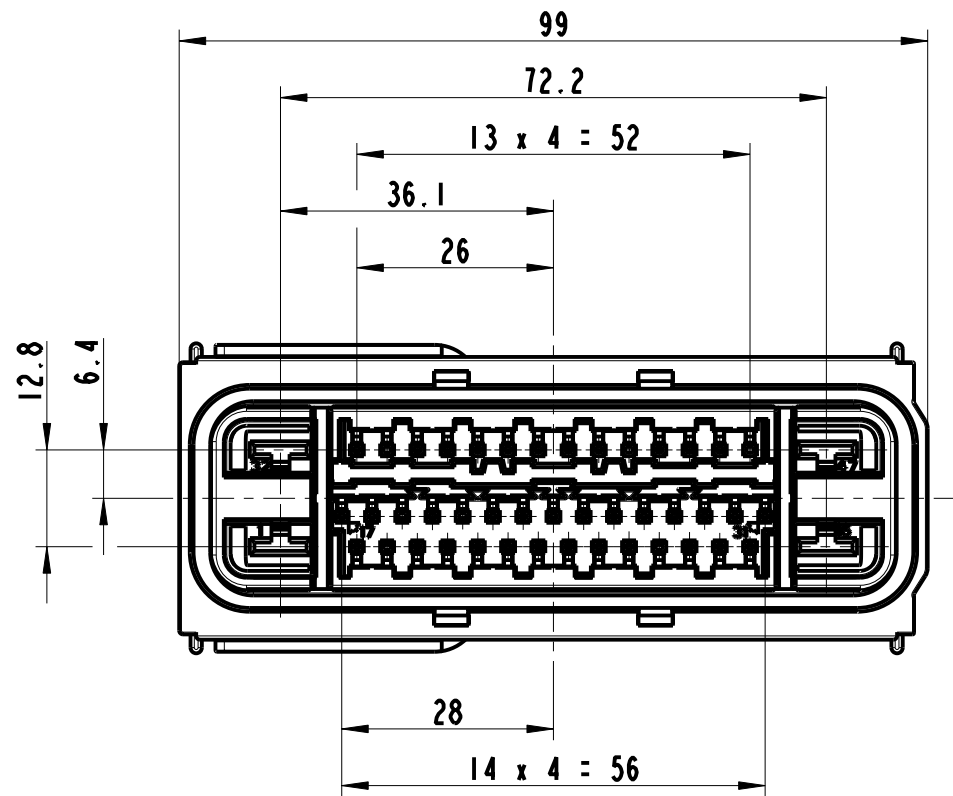





F
E
D
C
B
A

8 7 6 5 4 3 2 1



DO NOT SCALE DRAWING		 www.fciconnect.com	 ISO PROJECTION SCALE 1:1
TITLE 47way 4X6.3+43X0.64 sealed female			DIMENSION IN MILLIMETERS DWG SIZE A3
CATALOG NUMBER			SHEET 1 of 1
<small>THIS DRAWING AND ALL OTHER INFORMATION CONTAINED THEREIN IS PROPRIETARY AND THE PROPERTY OF FCI. This drawing may not be copied, reproduced or disclosed to any third party without the expressed written permission of FCI. ©FCI April 1999</small>			

8 7 6 5 4 3 2 1